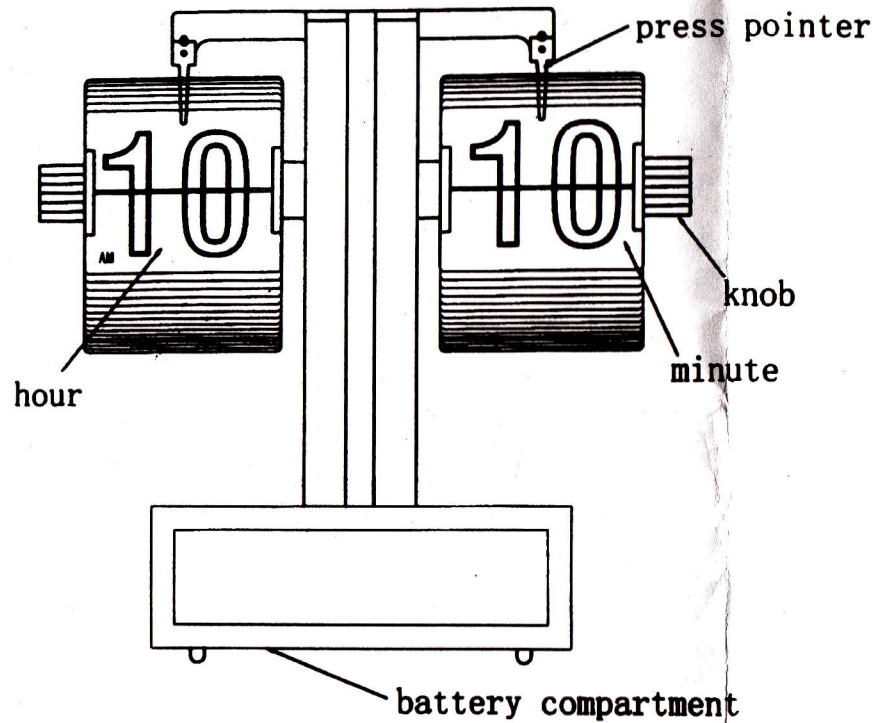


Flip clock



Instruction:

1. Open the battery cover, insert 2pcs C-Size batteries with correct "+/-" direction.
2. Set time by turning the knob on the right side.
3. Set 1 minute ahead of current time (suppose it is 8:30am now, and the flip should be adjusted to 8:31)

Warning:

Please do not remove the press pointers which press the loose leaves.