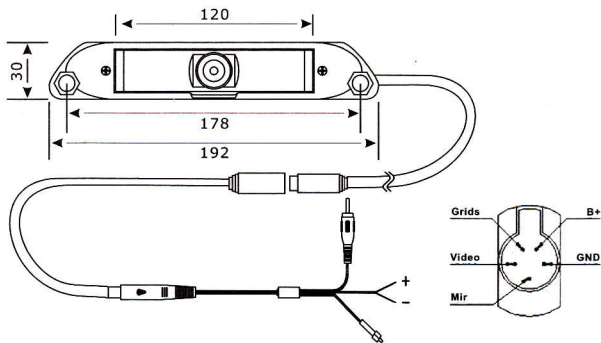


Specification:

Image Sensor:Color CMOS
Signal System:NTSC/PAL
Min. illumination:0.2Lux
Horizontal resolution:380TVL
Effective Pixels Number:NTSC:510(H) × 492(V) ;PAL:628(H) × 582(V)
Scanning Frequency:NTSC:15.734KHz(H)/59.94Hz(V);
PAL:15.625KHz(H)/50Hz(V)

Sync.System:Internal
Scanning System:2:1 Interlace
Video Output Level:Composite: 1.0Vp-p,75 Ω,Unbalanced
Electronic Shutter:1/60~1/1500sec Auto 1/50~1/1500sec Auto
Gamma Correction:0.45
S/N Ratio:40dB
White Balance:Auto
Supplied Voltage:DC12V
Compact Zina Alloy Die Cast Body
Wide Angle up to 175 degree(Optional)

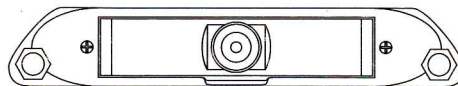
Dimension(mm)&Wiring



Mirror the switch cut over

CAR REAR VIEW CAMERA

User's Manual



Easy To Install
Waterproof Housing
Up and Down is active
Built-in Navigation Line

PAL

NTSC

