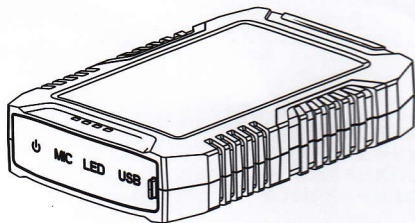


Water Proof Portable Power Bank

User Manual



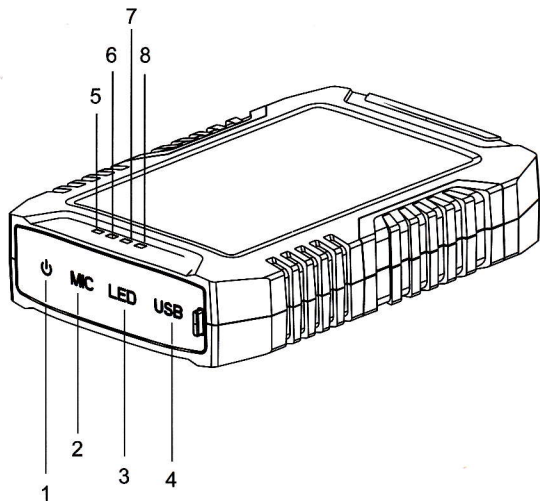
Features :

- High capacity of 7800mah.
- Output and Input: 5V/1A
- Lithium ion battery is provided with high safety and stability. Built-in intelligent protection circuit, involve automatically charge technology.
- 3ATM waterproof/ water resistance design.
- Minimum loss of electricity keeps 90% capacity after stands by for a month.
- Fit for digital devices that have USB power source.
- Operating Temperature: -10℃-50℃
- Dimension: 110*76*24 mm
- Weight: 207g

How to use:

- Charge your device
Connect with iphone/ipod... via their original cables
- Charge your IPB-7800
Share your iphone/mobile phones adaptor and connect to standard wall outlet. Or connect with your computer.
Additionally: No LED wink when your battery is exhausted. It is normal situation and will last for around 5 minutes
- Full charged time: 7-8hours..

Illustration:



Numbered Feature	Function	Operation
Arrow 1	Function button	Press and hold to active LED light. press to check battery state.
Arrow 2	Mirco USB power in port	Use your mobile phones' charger charge it. 5V/1A
Arrow 3	Led light	Press function key to switch on or off
Arrow 4	USB power out port	Charge your mobile phones via their original cable. 5V/1A
Arrow 5	Led 1	Light on indicates 0%-25% of full charged
Arrow 6	Led 2	Light on indicates 25%-50% of full charged
Arrow 7	Led 3	Light on indicates 50%-75%% of full charged
Arrow 8	Led 4	Light on indicates 75%-100% of full charged

Warnings:

Avoid high temperature or long time direct sunlight

Do not throw it into fire or water

We strongly suggest to charge this battery each 3 month if stands by

Children must use under the guidance of parents